

FROMM P329 Battery Powered Plastic Strapping Tool

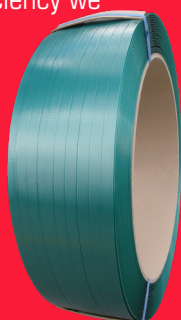
The FROMM P329 Battery Powered Plastic Strapping Tool features the latest strapping tool technology. Packed with features including automatic cooling in the event of motor overload, brushless motors, and a new strap release function to maximise strap tension on the product.

For bricks, timber, tiles, bales, aluminium, steel and a wide range of general products the P329 is the solution. Approximately 350 cycles per charge and fast recharging the P329 is making strapping and load restraint easier than before.

Backed up by FROMM Packaging Australia, rent or purchase options, the P329 delivers for the Australian industry. All equipment is supported by our on-site mobile service team and spare parts are readily available.

Polyester (PET) Strap

For optimal strapping efficiency we recommend our range of Star Strap-Plus Plastic strap. Talk to our friendly staff today!

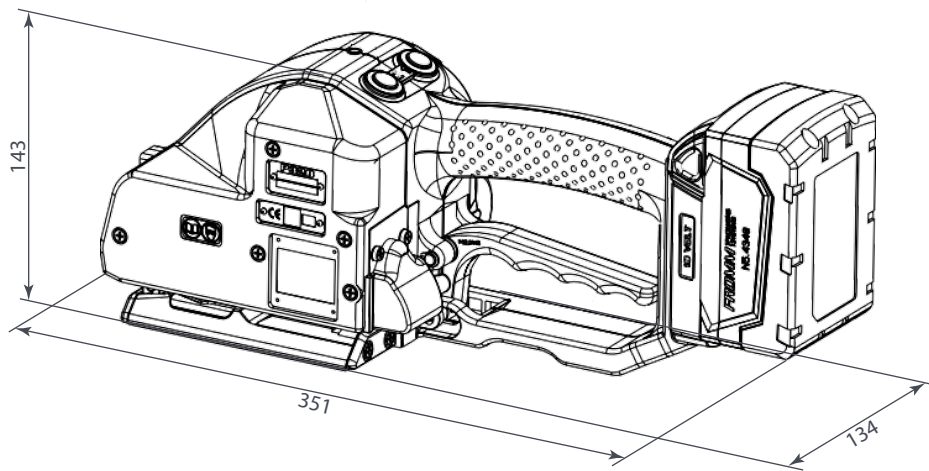


★ Features

- Manual or semi-automatic function
- Simple two button operation
- Adjustable strap width
- Adjustable tension
- Lithium Ion battery technology
- Brushless motor

+ Benefits

- Lightweight one handed operation
- Excellent adjustable tension
- High seal efficiency
- Fast rechargeable battery
- Robust with little maintenance required
- Strong and well protected motor housing
- FROMM 2 year warranty



★ Technical Specifications

Tensioning:

Strap Tension (N):	500-4000
Tensioning Speed (mm/s):	49-79
Joint Strength, approx. (%):	75

Tool Size:

Length (mm):	351
Width (mm):	134
Height (mm):	143
Weight, with battery (kg):	4.3

Sealing Type:

Friction weld

Strap Specification:

Width (mm):	16-19
Thickness (mm):	0.65-1.05
Thickness (mm) - HD Tool:	1.06-1.35

Power Supply:

18V, 4.0 Ah Li-Ion Battery

Charging:

Charging Time, approx (mins):	80
240V, 50-60Hz	

Operating Conditions:

Temperature range (°C):	-10 - +45
-------------------------	-----------

FROMM | PACKAGING
AUSTRALIA

Australia Wide

T 1800 023 890

E info@fromm-pack.com.au

W www.fromm-pack.com.au